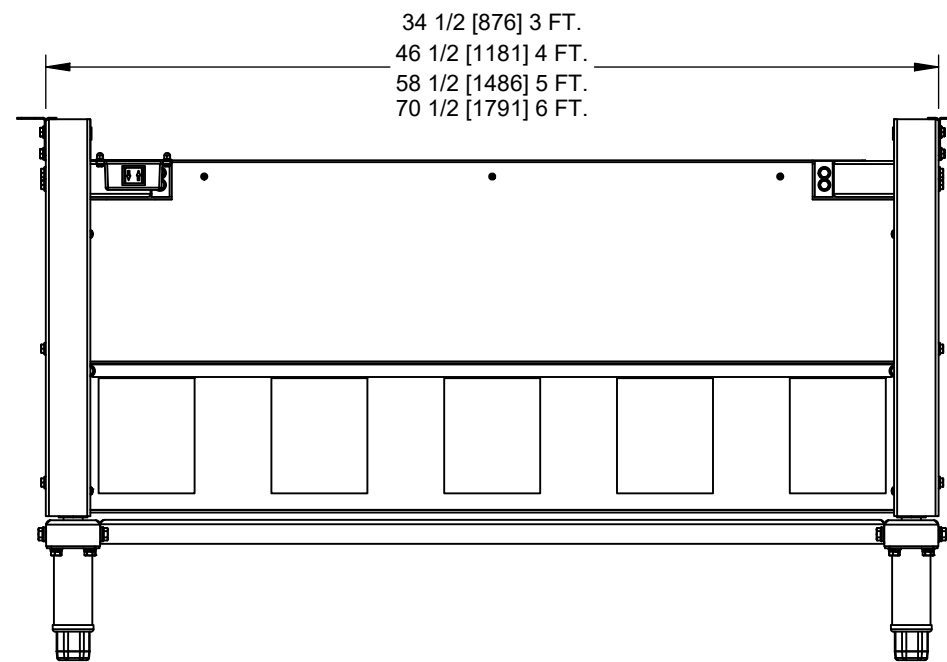
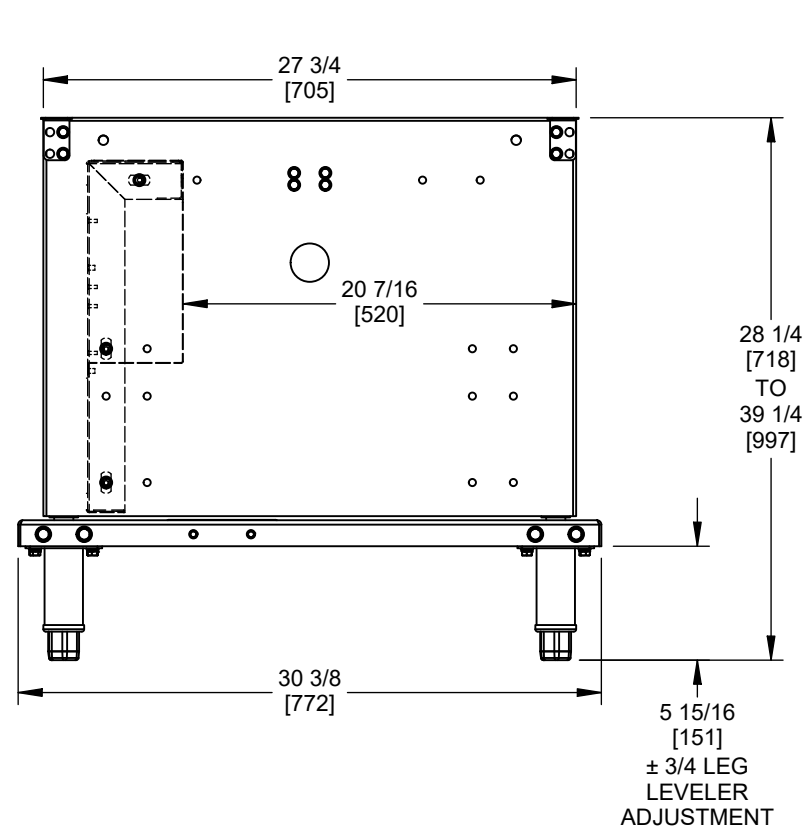
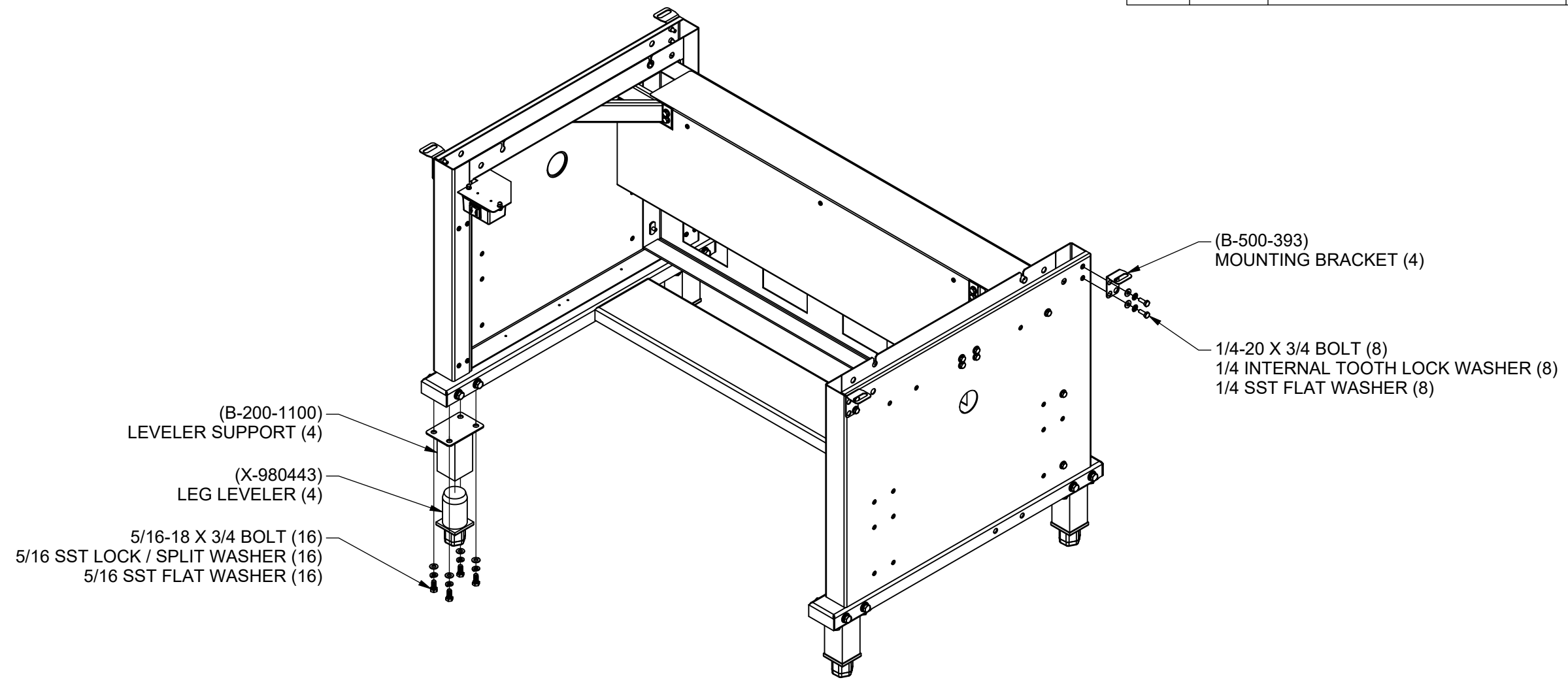


| REV | CO | DESCRIPTION | DATE | DFTM | CHKD |
|-----|--------|------------------------|------------|------|------|
| A | 000132 | RELEASED TO PRODUCTION | 10/29/2019 | TH | BK |



- NU-200-147
- NU-200-148
- NU-200-151
- NU-200-152
- NU-200-155
- NU-200-156
- NU-200-159
- NU-200-160

| | | | | | |
|----------------|------------|--|-------|---|------|
| | | | | | |
| TITLE | | 140/240 HYDRAULIC BASE STAND ASSEMBLY W/ LL | | | |
| DFTM | DATE | CHKD | SHEET | 1 | OF 1 |
| TH | 10/29/2019 | BK | | | |
| DRAWING NUMBER | | CD-000018 | | | A |